

E-Mobility Battery Pack Application – Battery Thermal Management Systems (BTMS)



About Us

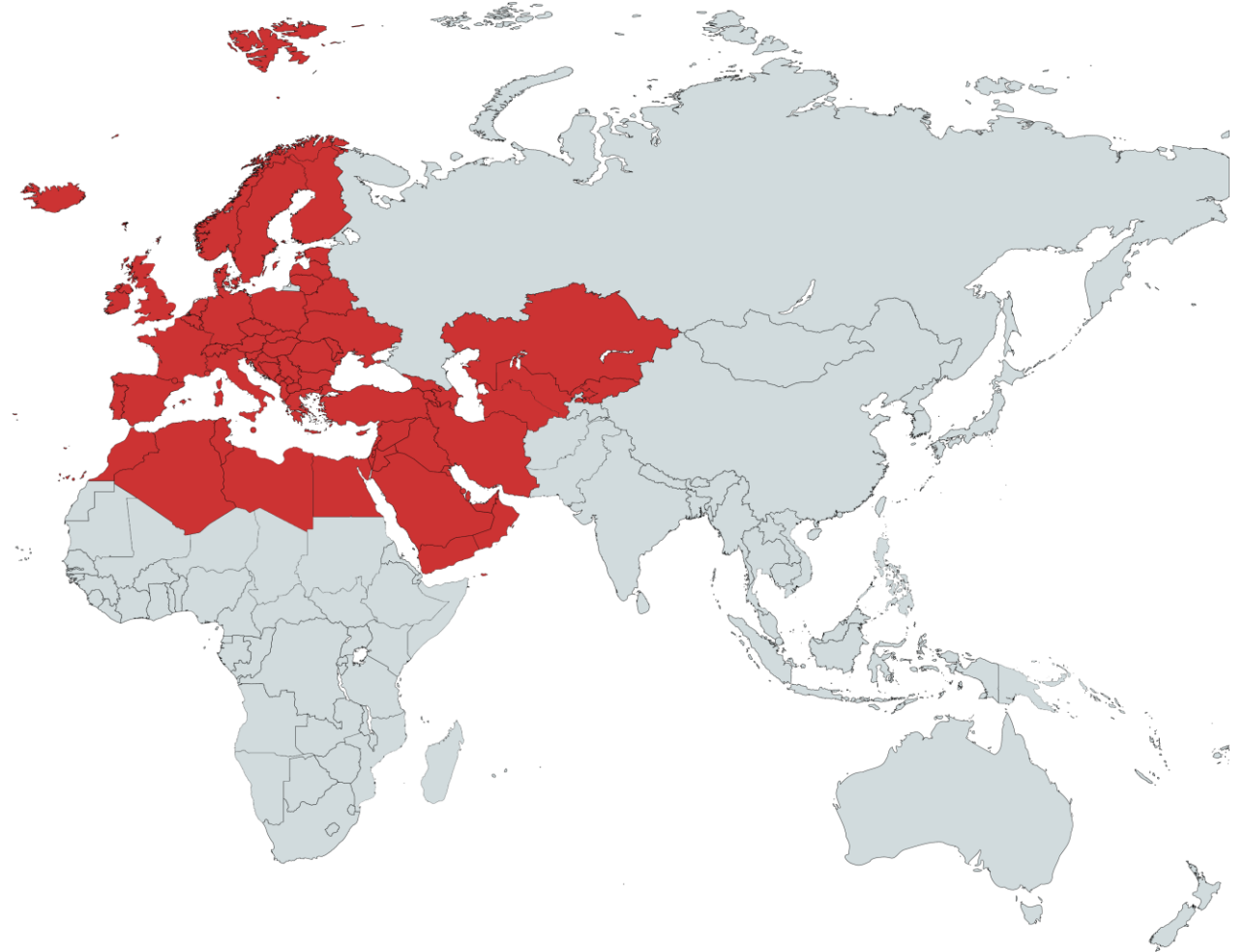


Established: 2005

Personnel: 106

Sales to 17 different countries

230 sales channels



ALBANIA



ICELAND



POLAND



AZERBAIJAN



IRAN



PRC CHINA



CROATIA



IRAQ



QATAR



EGYPT



KOSOVO



SINGAPORE



GEORGIA



LIBYA



TRNC



GERMANY



NETHERLAND

About Us



Our Trademarks...

POWER-XTRA

<https://www.power-xtra.com/en>



Battery Solutions

www.bpmbattery.com

Official distributor of...



Panasonic



XTAR

The brands in our portfolio...

SAMSUNG



MOLICEL[®]



Production and Test Capabilities



700 m² production line

5 manufacturing engineers / 15 operators

Annual capacity for 270.000 pieces of battery pack production

Test capacity up to 100V 200A

Temperature tests between (-40°C) (+100°C)

Core technologies: Ni-Cd, Ni-MH, Lithium, Lithium-ion, LiFePO₄



R&D Capabilities



16 R&D engineers / 1 technician

3 patent applications

7 different projects currently continue with R&D center

2 ongoing R&D projects with TÜBİTAK (The Scientific and Technological Research Council of Turkey)



R&D Capabilities



Thermal Management Lab.

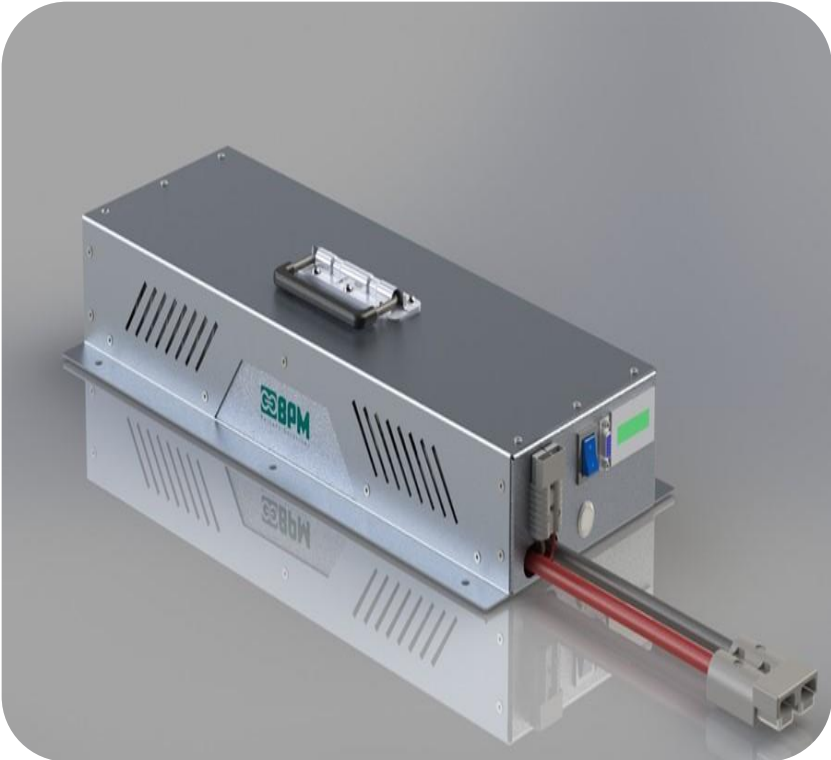


Chemical Lab.

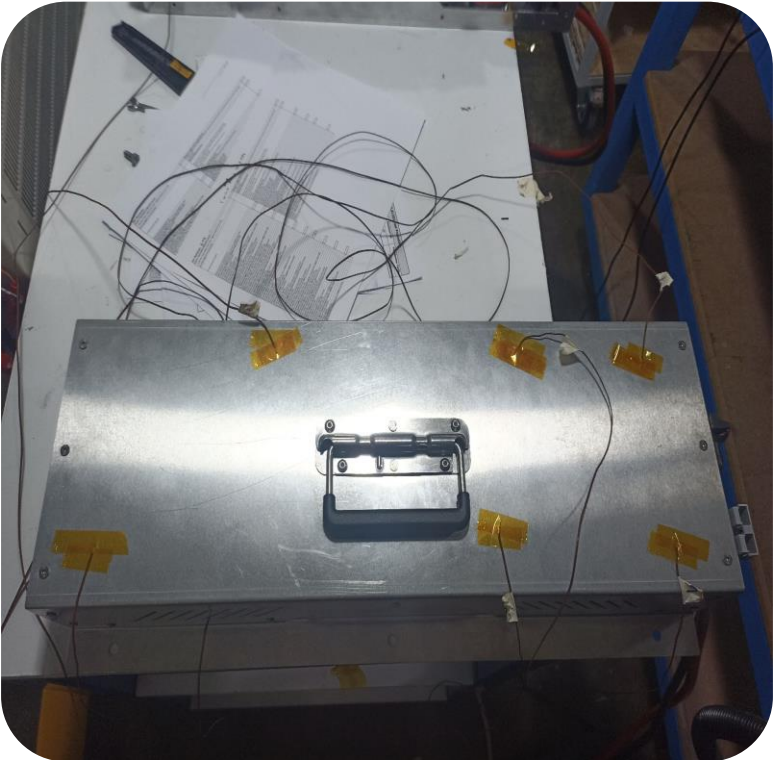


BMS Lab.

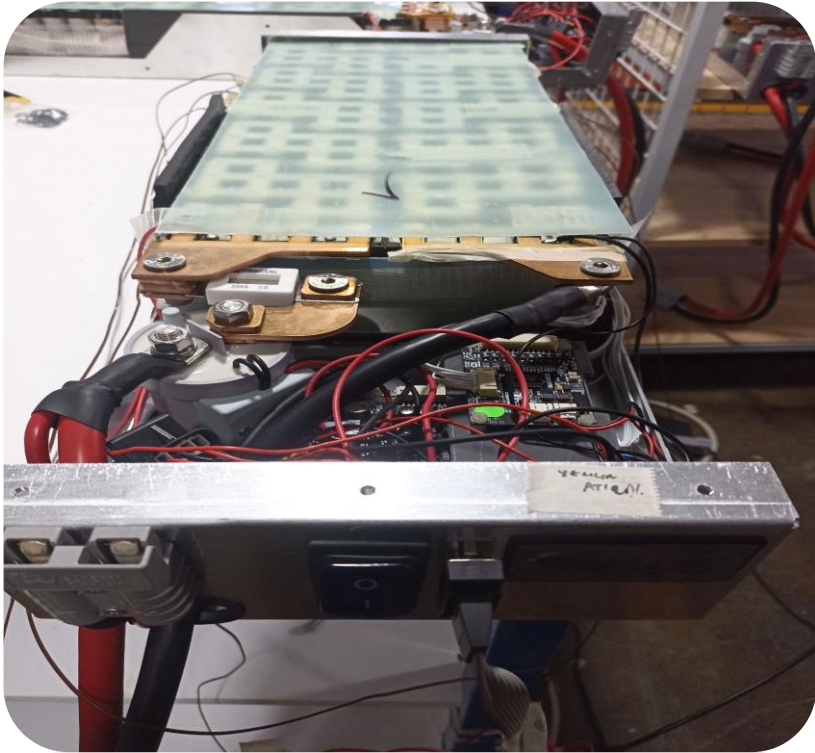
Pack Applications



CAD-Design



Real Pack Application

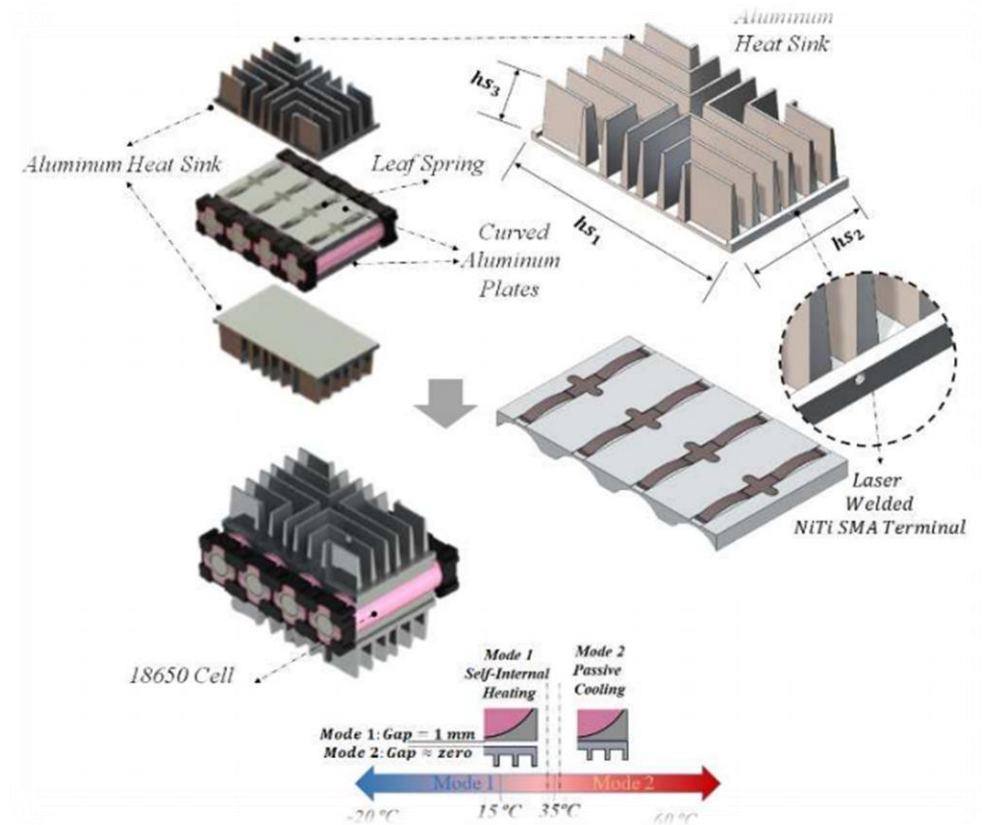
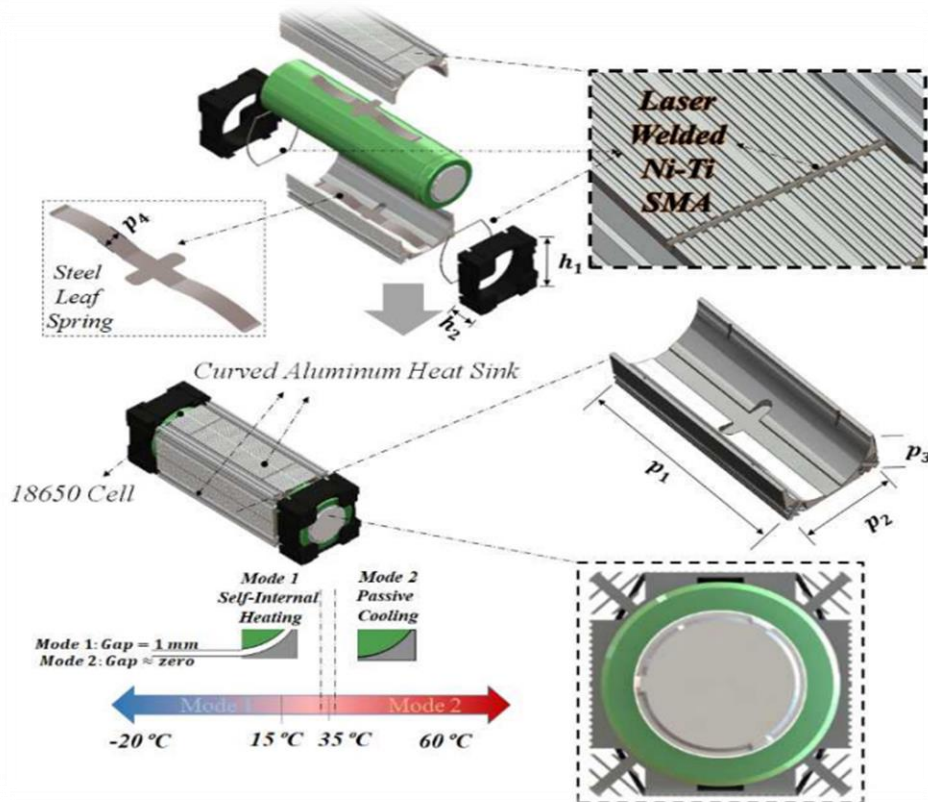


Real Pack Test Application

Thermal Management Systems and Applications

Project Name: Design of Smart Battery (TÜBİTAK)

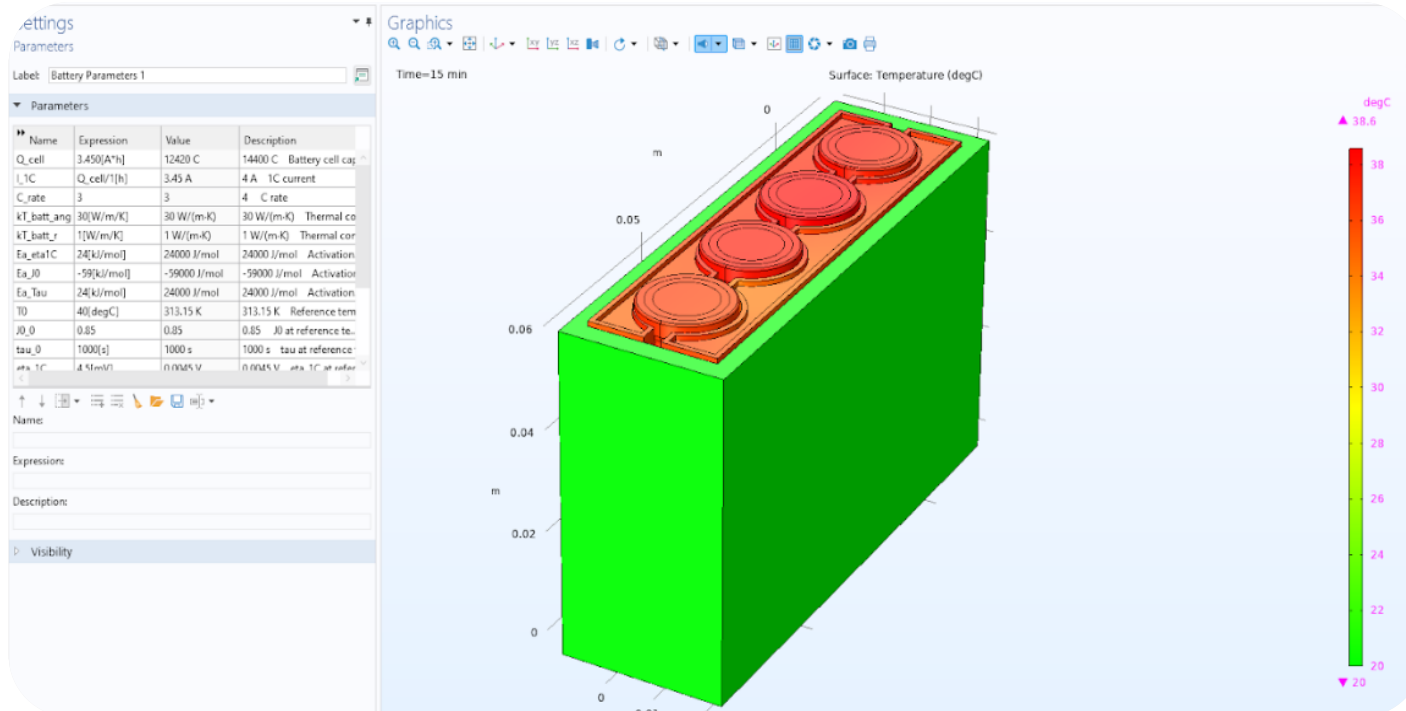
Project No: 3220337



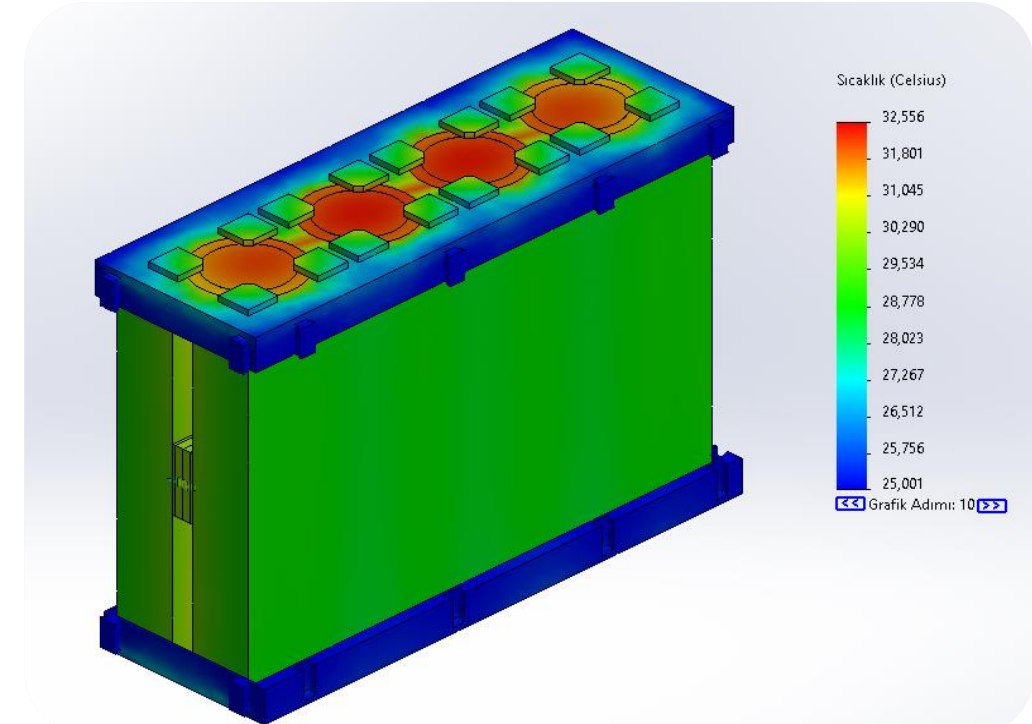
Thermal Management Systems and Applications

Project Name: Design of Smart Battery (TÜBİTAK)

Project No: 3220337



Design Box via Comsol Analysis



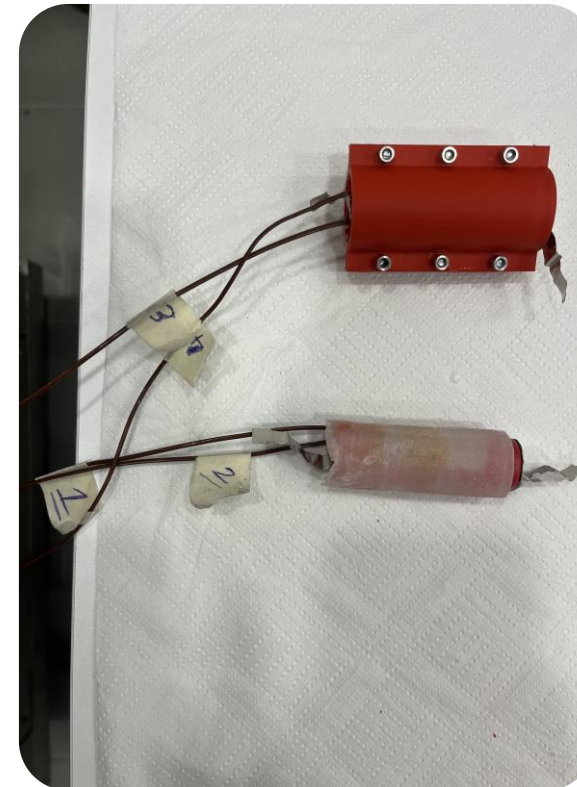
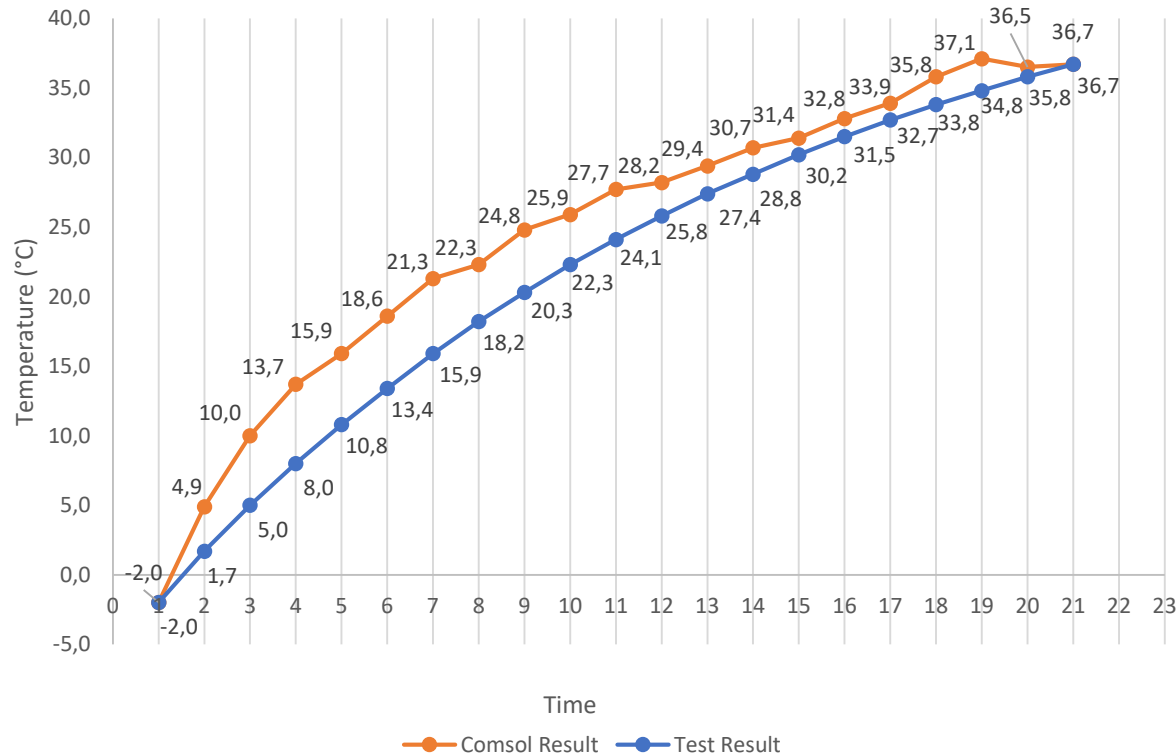
Design Box via Solidworks Simulation

Thermal Management Systems and Applications

Project Name: Design of Smart Battery (TÜBİTAK)

Project No: 3220337

Temperature-Time Graph for 0°C 10A Battery Test and Comsol Results



Cell Test with PCM



Charge Test

E-Mobility Battery Pack Application – Battery Thermal Management Systems (BTMS)



Thank you for your attention...